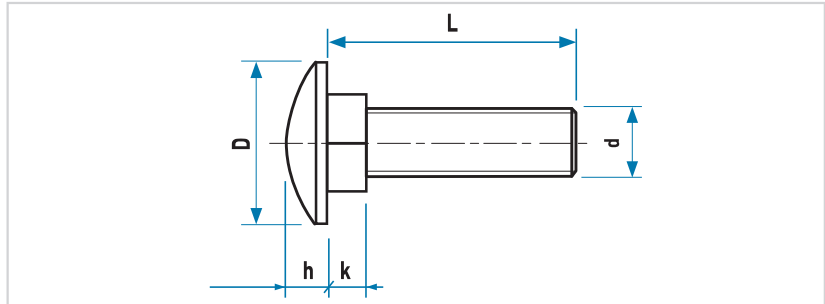


Tornillos cosechadora 8.8 / 10.9

Harvester bolts 8.8 / 10.9



DIN 603
8.8 Bicromatado/ Yellowish
10.9 Geomet
Sin tuerca / no nut



d	D	k	h	d	D	k	h
M-6	16	4	3,5	M-12	30	8	6,5
M-8	20	5	4,5	M-14	32	10	6
9 (3/8" UNF)	21	5,5	5	M-16	38	12	8
M-10	24	6	5	M-18	42	13,5	8,5
M-11	25,5	7	6,5	M-20	46	15	10,5

Rosca (d) Thread (d)	Longitud (L) Length (L)	Precio (€/100) Price (€/100)
M-6 (8.8)	15	
	20	
	30	
	40	
M-8 (8.8)	20	
	25	
	30	
	35	
	40	
	45	
	50	
	85	
95		
100		
9 (3/8" UNF)	25*	
M-10	20	
	25	
	30	
	35	
	40	
	45	
	50	
	55	
	60	
	70	
80		
85		
90		
M-11	35	
	40	
	50	

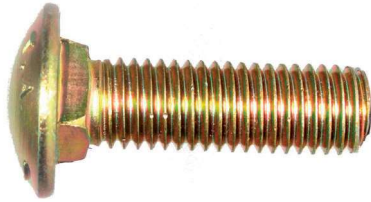
Rosca (d) Thread (d)	Longitud (L) Length (L)	Precio (€/100) Price (€/100)
M-12	25	
	30	
	35	
	40	
	45	
	50	
	60	
	65	
	70	
	80	
M-14	90	
	100	
	120	
	35	
M-16	40	
	45	
	60	
	40	
M-18	50	
	60	
	70	
	80	
	100	
	110	
M-20	120	
	60	
M-20	80	
	70	
	80	

* 9 (3/8"UNF) con tuerca/ nut included

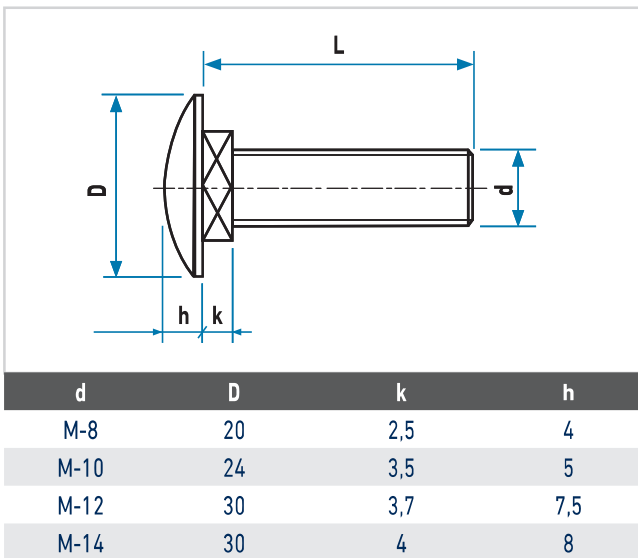
La gama 8.8 M-10, M-12, M-14, M-16 y M-20 será sustituida por 10.9, al finalizar existencias, aplicando esta misma tarifa.
The 8.8 range M-10, M-12, M-14, M-16 y M-20 will be replaced by 10.9, at the end of stocks, applying the same rate.

Tornillos cosechadora cuadro corto 8.8 / 10.9

Harvester short square bolts 8.8 / 10.9



8.8 Bicromatado/ Yellowish
 10.9 Pavonado / Black
 Sin tuerca / no nut

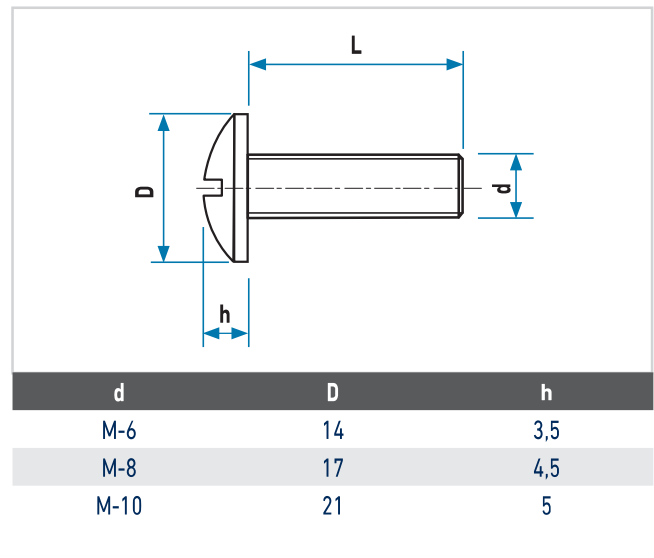


Tornillos con ranura 8.8

Slotted mushroom head screws 8.8



8.8 Bicromatado/ Yellowish
 Con tuerca / nut included



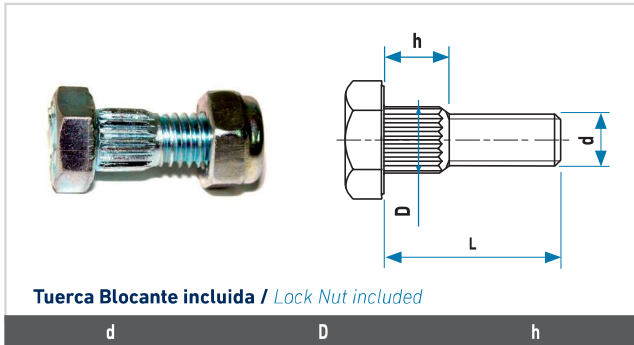
Rosca (d) Thread (d)	Longitud (L) Length (L)	Precio (€/100) Price (€/100)	Calidad Quality
M-8	15		8.8
	20		8.8
	25		8.8
	30		8.8
M-10	25		10.9
	30		10.9
	35		10.9
	40		10.9
M-12	25		8.8
	30		8.8
	35		8.8
	40		8.8
	45		8.8
M-14	65		8.8
	30		8.8
	35		8.8
	40		8.8

Rosca (d) Thread (d)	Longitud (L) Length (L)	Precio (€/100) Price (€/100)
M-6	15	
	20	
M-8	20	
	25	
M-10	25	

Tornillos moleteados cuchillas cosechadora

Knurled bolts for harvester knife sections

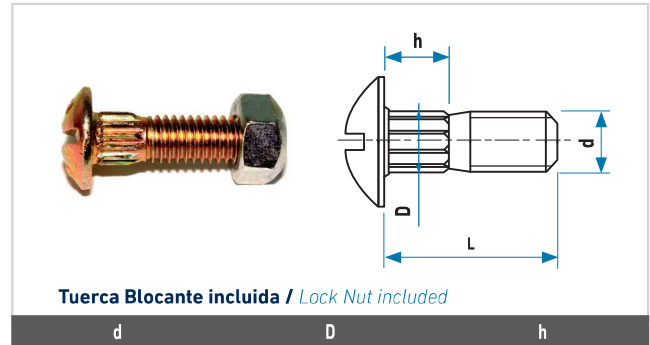
Moleteado cab. Hexagonal / Knurled hex. head



Tuerca Blocante incluida / Lock Nut included

d	D	h
M-6	6,55	6

Moleteado cab. Redonda / Knurled round head

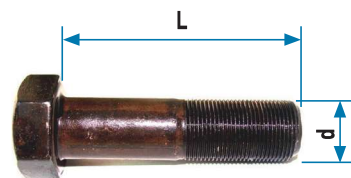


Tuerca Blocante incluida / Lock Nut included

d	D	h
7/32" W	6	6
M-6	6,50	6
1/4" W	7	6

Descripción Description	Rosca (d) Thread (d)	Longitud (L) Length (L)	Precio (€/100) Price (€/100)	Adaptable Adaptable	Calidad Quality
Moleteado cab. Hexagonal / Knurled hex. head	M-6	16		Fahr	10.9
Moleteado cab. Redonda / Knurled round head	1/4" W	16		Class / John Deere	10.9
Moleteado cab. Redonda / Knurled round head	M-6	16		New Holland	8.8
	M-6	22		New Holland	8.8
	M-6	27		New Holland	8.8
Moleteado cab. Redonda / Knurled round head	7/32" W	16		New Holland	8.8
	7/32" W	22		New Holland	8.8
	7/32" W	27		New Holland	8.8
	7/32" W	32		New Holland	8.8

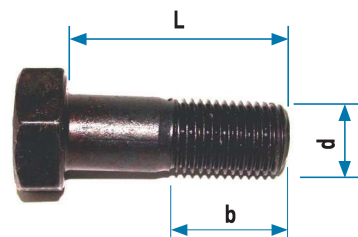
Tornillo biela *Cranck bolt*



10.9 Pavonado / Black

Descripción <i>Description</i>	Rosca (d) <i>Thread (d)</i>	Longitud (L) <i>Length (L)</i>	Precio (€/100) <i>Price (€/100)</i>	Adaptable <i>Adaptable</i>
Tornillo hexagonal para Biela / <i>Cranck hex. bolt</i>	M-16/1,00	60		New Holland

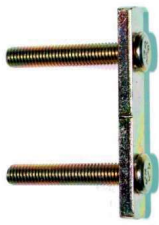



Tornillo barra del cilindro *Cylinder bar bolt*



8.8 Pavonado / Black

Descripción <i>Description</i>	Rosca (d) <i>Thread (d)</i>	Longitud (L) <i>Length (L)</i>	Longitud rosca (b) <i>Thread length (b)</i>	Precio (€/100) <i>Price (€/100)</i>	Adaptable <i>Adaptable</i>
Tornillo barra del cilindro / <i>Cylinder bar bolt</i>	M-12	30	21		New Holland

Repuestos cosechadora adaptable New Holland *New Holland harvester adaptable spare parts*

			
A	B	C	D
Descripción <i>Description</i>	Precio (€/100) <i>Price (€/100)</i>		
A Abarcón M-8x50 / <i>Clamp M-8x50</i>			
B Bloqueante ciega M-8 inox / <i>Domed cap lock nut M-8 ss</i>			
C Tornillo ISO 7380 M-8x20 inox / <i>Screw ISO 7380 M-8x20 ss</i>			
D Tuerca cosechadora viña M-8 / <i>Nut for grape harvester M-8</i>			
D Tuerca cosechadora viña M-10 / <i>Nut for grape harvester M-8</i>			